



RONDO

Cannulated screw system for small and medium fragments

Ø 3



Ø 4



Ø 5



Integral
adjustable washer



Easy insertion
and removal



Color coded implant
and instrument set

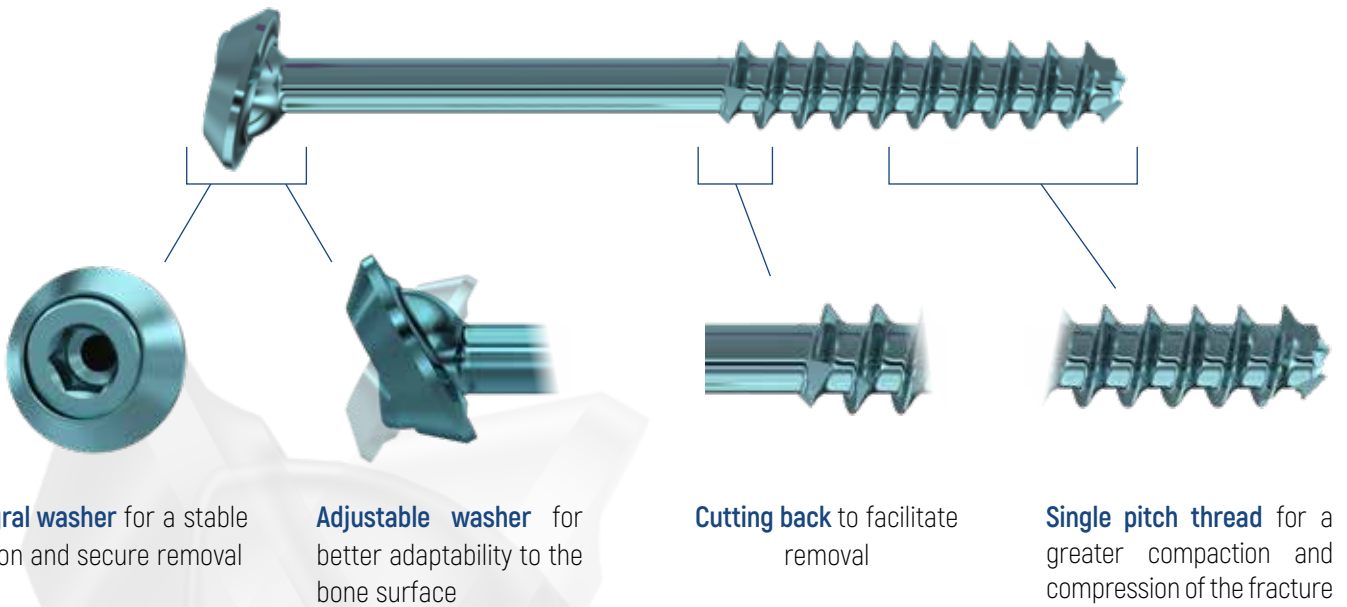
citieffe[®]
Essential moves in Trauma

Surgeons must always decide on the best approach to follow according to their clinical judgement and the patient's needs. Citieffe does not dispense medical advice and recommends that surgeons be trained in the use of any particular product before using it in surgery. The information presented is intended to demonstrate the extent of Citieffe product offerings. Before use a surgeon must always consult the package insert, product label and/or instructions for use. Products may not be available in all markets because product availability is subject to the regulatory and/or medical practices in individual markets. Please contact your Citieffe representative if you have questions about the availability of Citieffe products in your area.



Cannulated screw system for small and medium fragments

Cannulated Rondò screws are meta-epiphyseal screws with cancellous thread indicated for fixation of fractures, fusions or osteotomies.



Bimalleolar ankle fracture



Pre-operative



Post-operative

Courtesy of Caiaffa V. MD, "Di Venere" Hospital, Bari (Italy)

TITANIUM

STERILE



Lengths and diameters indicated for small and medium fragments



ø3mm

Lengths from 10 to 30mm
(increments of 2mm)



ø4mm

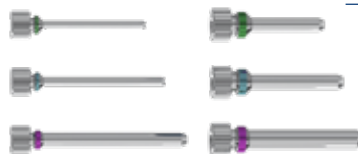
Lengths from 14 to 65mm
(from 14 to 40 increments of 2mm)
(from 45 to 65 increments of 5mm)



ø5mm

Lengths from 20 to 70mm
(20-50 increments of 2mm)
(55-70 increments of 5mm)

Instrument set



Cannula handle
Trocars
Cannulae

**Soft tissue protection and placement of 1 or 2 parallel screws*



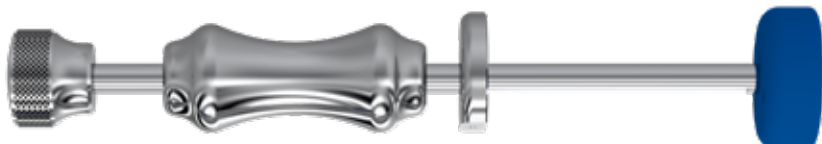
Screw ruler



Cannulated drill bits
with AO connection



Hand screwdrivers and
with AO connection



Washer
removal

RONDO

Cannulated screw system indicated for small and medium fragments

BR-008A3.EN - Rev. 0 - 02/2025 - Citieffe® reserves the right to make changes without notice

citieffe[®] | **INSPIRED BY PEOPLE**
Essential moves in Trauma | **MOVED BY INNOVATION**

 **Citieffe s.r.l.**
Via Armaroli, 21

40012 Calderara di Reno (BO) - Italy
Tel +39 051 721850 - Fax +39 051 721870
info@citieffe.com - www.citieffe.com

CE
0476